



POOL ENCLOSURE Permit INFORMATION GUIDE and CHECKLIST By-Law 09-14

519.855.4407 ext. 261
Mandie.eddie@erin.ca
www.erin.ca

The permit required for pool installation is a “Pool Enclosure Permit”. Below please find a checklist for requirements for the application.

A permit must be obtained from the Town of Erin **BEFORE** any pool or swimming pool enclosure (fence) is installed where the depth of water exceeds 2 feet (0.6m)

All Drawings submitted for a “Pool Enclosure Permit” must include:

Check

- **2 sets** of drawings to a recognizable standard scale of which:
- **1 set** of drawings is required to be an **electronic copy** of drawings (PDF only)

Drawing requirements for Pool Enclosure Permit application:

1. A property survey of your lot or equivalent site plan, including:
 - a. Location and dimensions of:
 - i. Proposed pool
 - ii. Fence and gate
 - iii. Septic system (Tank and bed)
 - iv. Existing building on property
 - b. Setback distances to:
 - i. Property Lines
 - ii. Existing structures/buildings
 - iii. Septic system
2. Any changes in grading
3. Construction details of proposed pool and retaining wall, including elevations.
Note: See attached sample drawings (3 pages) for further details on the above required drawings
4. The cost of the permit is a minimum **\$200**. The fees cover the review of drawings for building code compliance, the building permit and building inspections. We accept cash, cheque and debit as methods of payment. Please submit with your application

***Subdivision Property**

- Requires grading plan and review. Contact office for further information

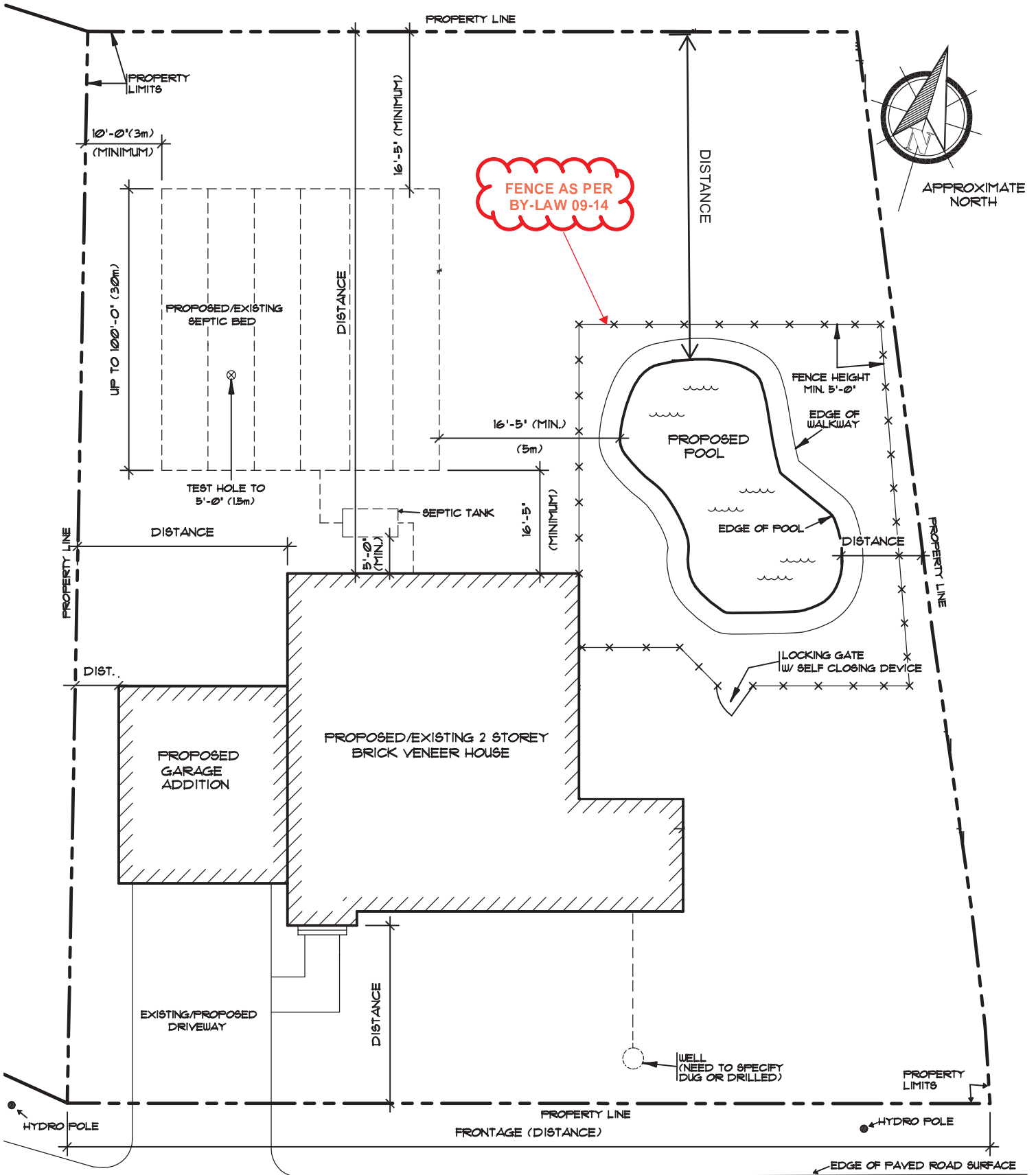
APPLICATIONS FOR POOL ENCLOSURE PERMIT

To apply for a Pool Enclosure Permit please bring all required drawings, application forms and permit fee to the Building Department in Lower Level of Municipal Office located at 5684 Trafalgar Road Hillsburgh, Ontario.

Once a complete permit application is made the permit will be reviewed by both zoning and bylaw officials. Please allow 10 business days for permit processing. Excavation may not begin before the permit is issued.

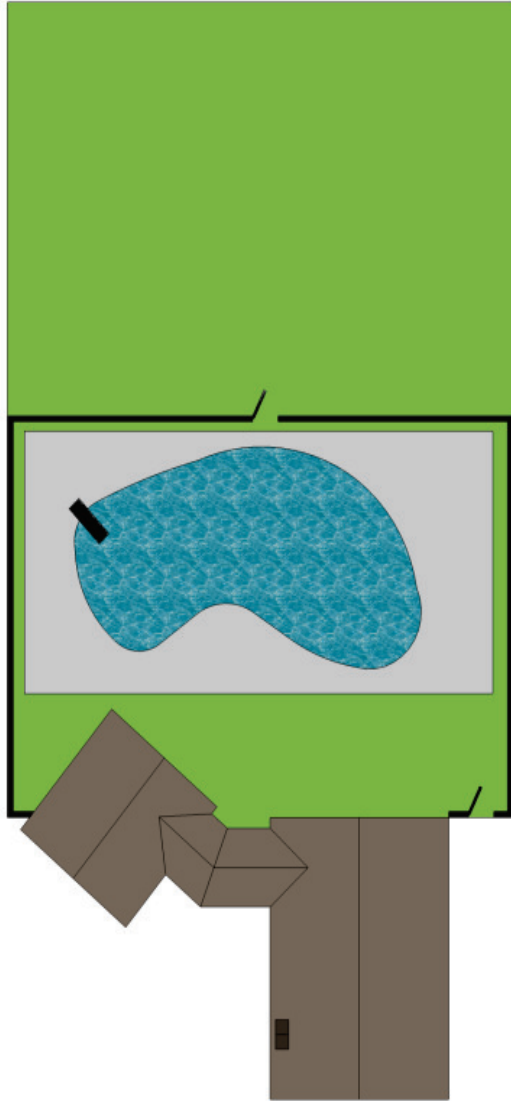
Office hours:

Monday to Friday 8:30am – 4:30pm

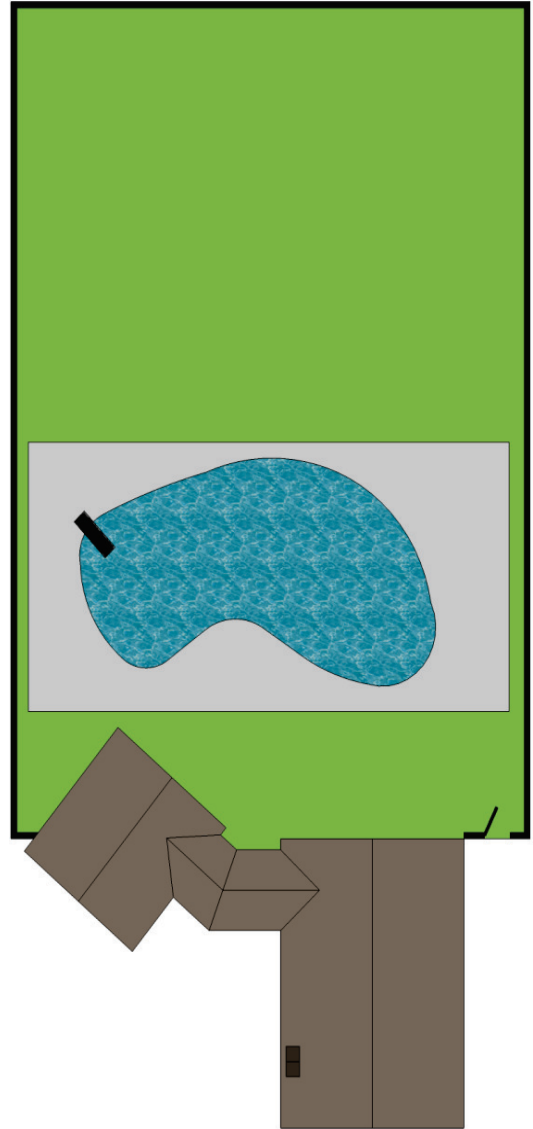


W E L L I N G T O N R O A D

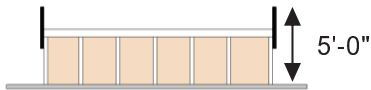
Drawing Name: SAMPLE SITE PLAN	Project: PROPOSED POOL	Page: 1 of 3
Scale: 1/4"=1'-0", 3/16"=1'-0" or 1/8"=1'-0" etc...	Address: 123 TOWNOFERIN STREET	



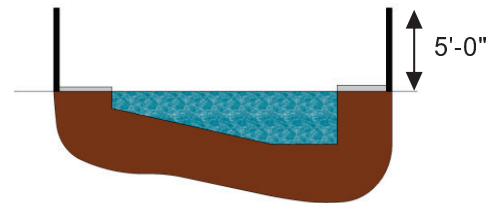
Fenced around Pool



Fenced around Property



Above Ground Pool Fence Height



Below Ground Pool Fence Height

Drawing Name:
POOL FENCE/HEIGHT

Project:
PROPOSED POOL

Page:

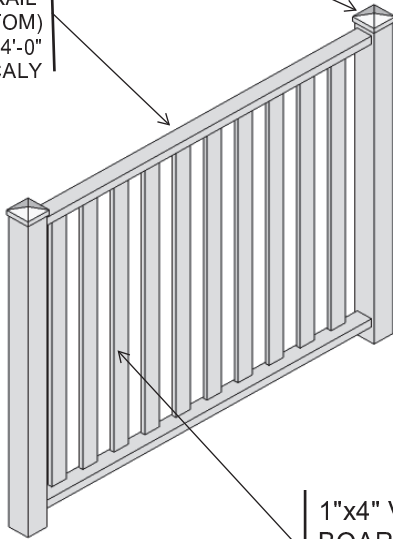
2 of 3

Town of Erin By-Law 09-14 : A permit must be obtained from the Town before any pool or swimming pool fence is installed.

Address:
123 TOWNOFERIN STREET

4"x4" CEDAR SUPPORT
POSTS, LOCATED 10'-0"
ON CENTRE

2"x4" HORIZONTALRAIL
(TOP AND BOTTOM)
SPACED 4'-0"
APART VERTICALLY

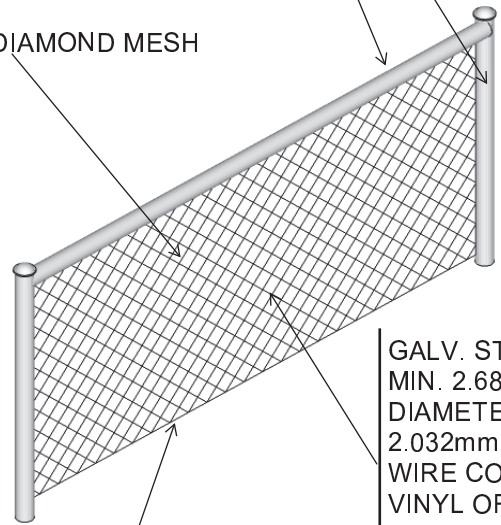


1"x4" VERTICAL
BOARDS SPACED
NOT MORE THAN 2
3/4" APART

1 1/2" MIN. DIAMETER GALV.
STEEL POSTS, SPACED
10'-0" ON CENTRE

1 1/4" MIN. DIAMETER GALV.
METAL HORIZONTAL RAIL

1 1/2" MAX. DIAMOND MESH



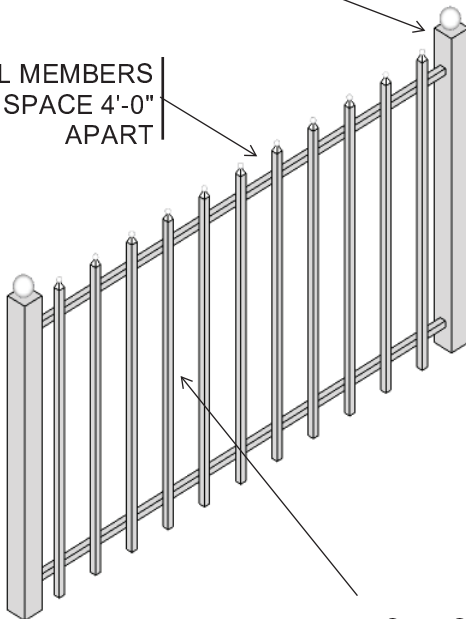
6mm GALV. STEEL
TENSION WIRE MAY
BE USED FROM
BOTTOM RAIL.

GALV. STEEL WIRE
MIN. 2.68mm
DIAMETER OR
2.032mm STEEL
WIRE COATED WITH
VINYL OR OTHER
APPROVED
COATING TO FORM
2.68mm

5'-0" Wood Fence

STEEL POSTS. MIN. 2"
DIAMETER, POST
SPACING MAX. 10'-0"

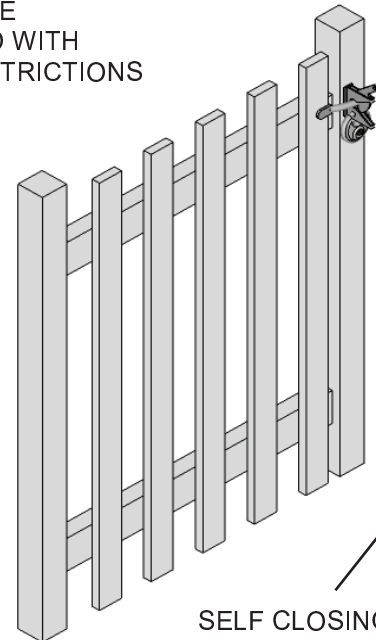
HORIZONTAL MEMBERS
MUST BE SPACE 4'-0"
APART



PICKETS MUST BE 4"
ON CENTRE

5'-0" Chain Link Fence

NOTE:
GATE MUST BE
CONSTRUCTED WITH
FENCING RESTRICTIONS



SELF CLOSING & LATCHING,
LOCKED AT ALL TIMES
EXCEPT WHEN IN USE BY
AUTHORIZED PERSONAL

5'-0" Wood Fence

Gate Detail

Drawing Name:
POOL FENCE DETAILS

Project:
PROPOSED POOL

Page:

3 of 3

Note:
1. All posts should be embedded at least 48" below grade
2. Maximum of 4" opening beneath the lowest point of all fences

Address:
123 TOWNOFERIN STREET