

W E L L I N G T O N R O A D

Drawing Name:
SAMPLE SITE PLAN

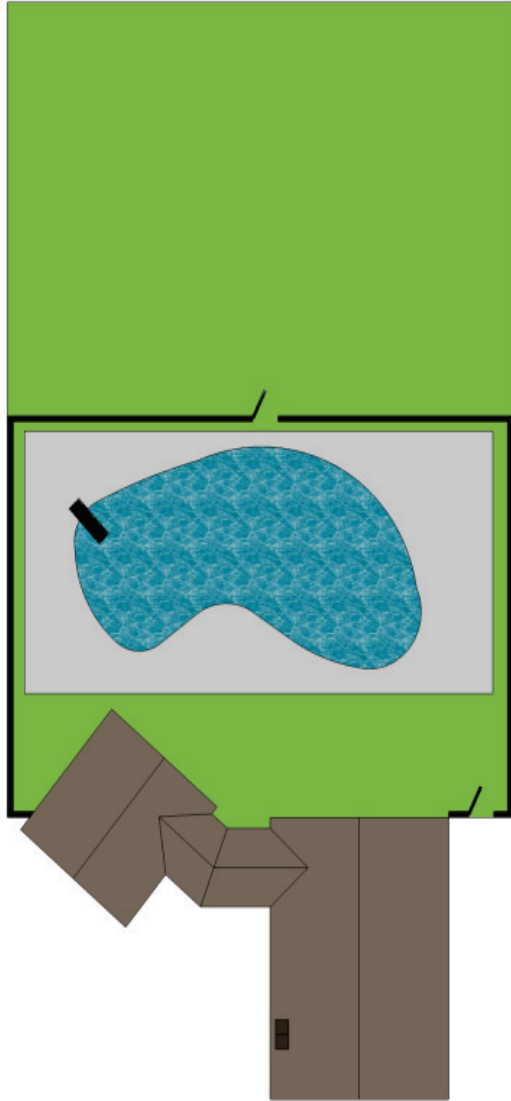
Project:
PROPOSED POOL

Page:

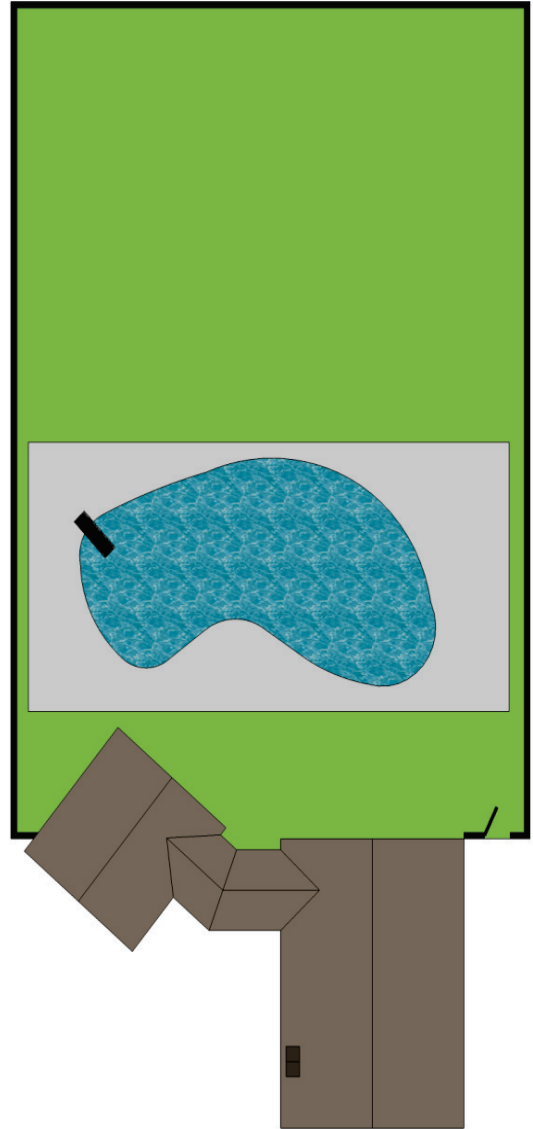
Scale:
1/4"=1'-0", 3/16"=1'-0" or 1/8"=1'-0" etc...

Address:
123 TOWNOFERIN STREET

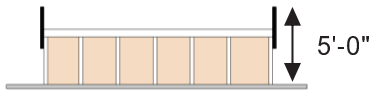
1 of 3



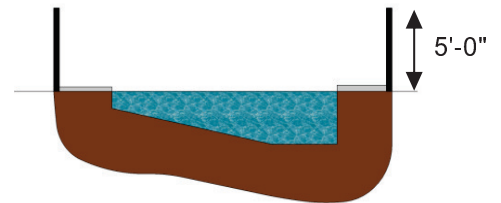
Fenced around Pool



Fenced around Property



Above Ground Pool Fence Height



Below Ground Pool Fence Height

Drawing Name:
POOL FENCE/HEIGHT

Project:
PROPOSED POOL

Page:

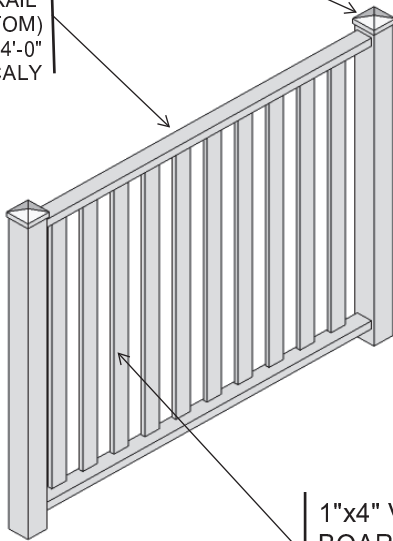
2 of 3

Town of Erin By-Law 09-14 : A permit must be obtained from the Town before any pool or swimming pool fence is installed.

Address:
123 TOWNOFERIN STREET

4"x4" CEDAR SUPPORT
POSTS, LOCATED 10'-0"
ON CENTRE

2"x4" HORIZONTALRAIL
(TOP AND BOTTOM)
SPACED 4'-0"
APART VERTICALLY

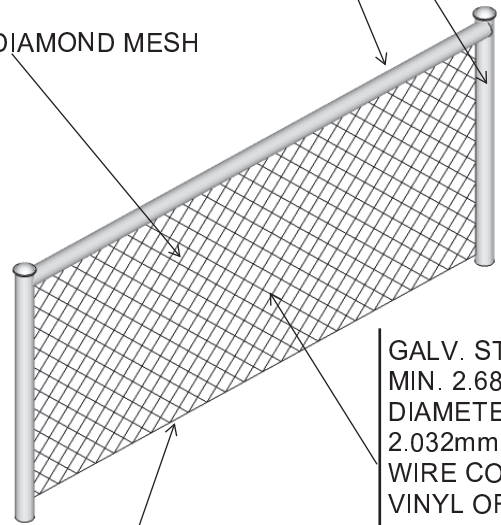


1"x4" VERTICAL
BOARDS SPACED
NOT MORE THAN 2
3/4" APART

1 1/2" MIN. DIAMETER GALV.
STEEL POSTS, SPACED
10'-0" ON CENTRE

1 1/4" MIN. DIAMETER GALV.
METAL HORIZONTAL RAIL

1 1/2" MAX. DIAMOND MESH



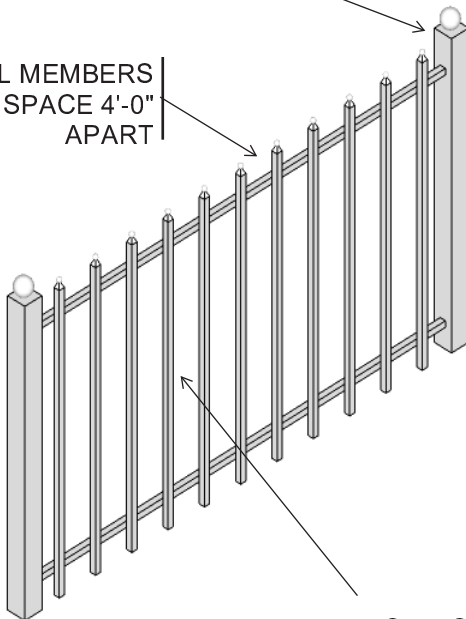
6mm GALV. STEEL
TENSION WIRE MAY
BE USED FROM
BOTTOM RAIL.

GALV. STEEL WIRE
MIN. 2.68mm
DIAMETER OR
2.032mm STEEL
WIRE COATED WITH
VINYL OR OTHER
APPROVED
COATING TO FORM
2.68mm

5'-0" Wood Fence

STEEL POSTS. MIN. 2"
DIAMETER, POST
SPACING MAX. 10'-0"

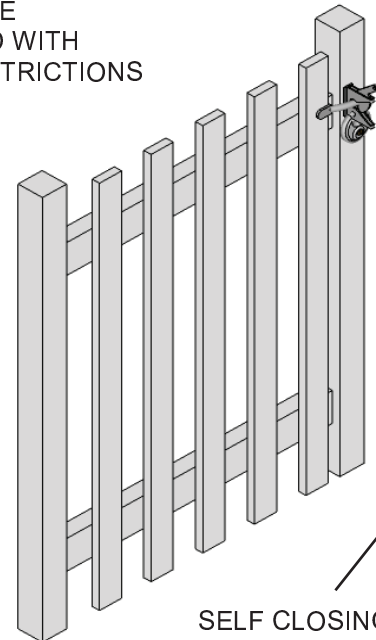
HORIZONTAL MEMBERS
MUST BE SPACE 4'-0"
APART



PICKETS MUST BE 4"
ON CENTRE

5'-0" Chain Link Fence

NOTE:
GATE MUST BE
CONSTRUCTED WITH
FENCING RESTRICTIONS



SELF CLOSING & LATCHING,
LOCKED AT ALL TIMES
EXCEPT WHEN IN USE BY
AUTHORIZED PERSONAL

5'-0" Wood Fence

Gate Detail

Drawing Name:
POOL FENCE DETAILS

Project:
PROPOSED POOL

Page:

3 of 3

Note:
Maximum of 4" opening beneath the lowest point of all fences

Address:
123 TOWNOFERIN STREET